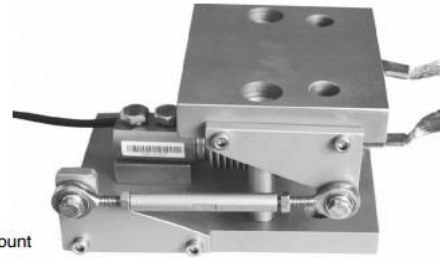




Datasheet: BM-11-402 mount

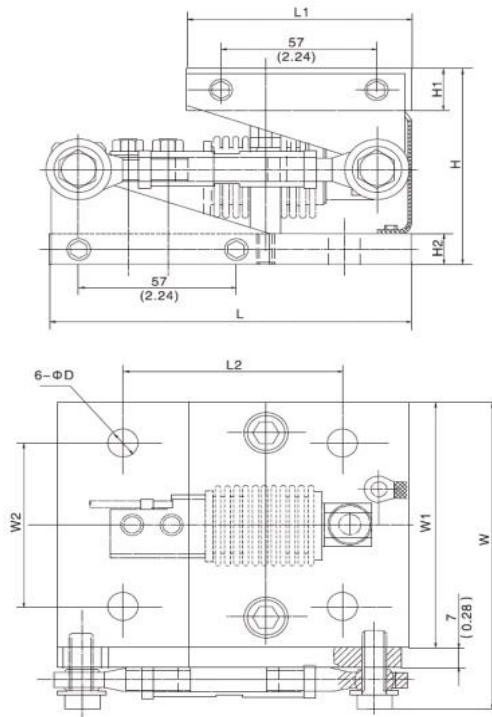


- Stainless steel mount
- Easy load cell access
- Self aligning construction
- Lift-off protection
- Stabilized by stay rod

Specification:

| Specifications | BM-11-401 | |
|--|-----------------|-----------------|
| Capacity | 5 - 200 kg | 350 - 500 kg |
| Maximum vertical force (down) without load cell | 10 kN | 30 kN |
| Maximum vertical force (up) | 5 kN | 10 kN |
| Maximum force parallel to the stay rod | 3 kN | 10 kN |
| Maximum horizontal force (any direction other than parallel to the stay rod) | 5 kN | 15 kN |
| Maximum horizontal movement | +2 / -2 mm | +1 / -1 mm |
| Material | Stainless steel | Stainless steel |

Outline Dimensions in mm



| Dimension | Capacity | |
|-----------|---------------|---------------|
| | 5kg-200kg | 350kg-500kg |
| H | 77 (3.03) | 90 (3.54) |
| H1 | 12 (0.47) | 20 (0.79) |
| H2 | 12 (0.47) | 15 (0.59) |
| L | 130 (5.12) | 160 (5.3) |
| L1 | 75 (2.95) | 100 (3.94) |
| L2 | 95 (3.74) | 100 (3.94) |
| W | 111 (4.37) | 141 (5.55) |
| W1 | 90 (3.54) | 120 (4.72) |
| W2 | 60 (2.36) | 80 (3.15) |
| ΦD | Φ9 (0.35) | Φ14 (0.55) |